

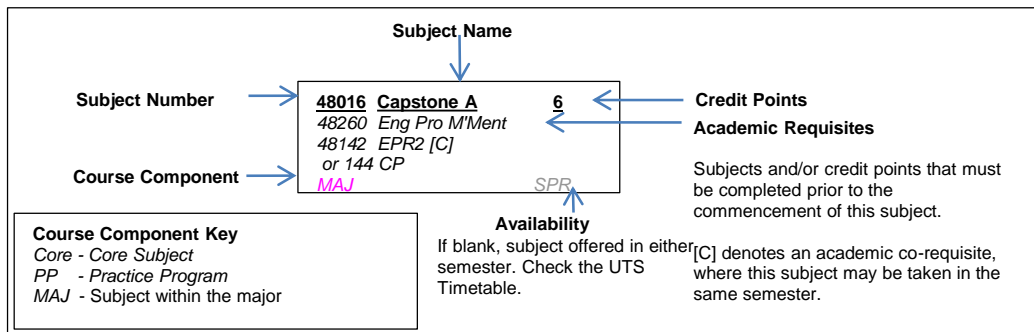
UTS: INFORMATION TECHNOLOGY Course Template

Course: C10219v4 BBusiness BScIT

Major: _____

Year 1		Year 2		Year 3		Year 4	
Stage 1		Stage 2		Stage 3		Stage 5	
26100 <u>Integrating Business Persp</u> 6 Core 26100 Integ Bus Pers [C]	25115 <u>Eco for Business</u> 6 Core 26100 Integ Bus Pers [C]	21129 <u>Managing People and organisations</u> 6 Core 26100 Integ Bus Pers [C]	25300 <u>Fund of Business Finance</u> 6 Core 26100 Integ Bus Pers [C]	<u>Business Major</u>	<u>Business Major</u>	<u>Business Major</u>	<u>Business Major</u>
22107 <u>Accounting for Bus Decisions A</u> 6 Core 26100 Integ Bus Pers [C]	26134 <u>Business Statistics</u> 6 Core 26100 Integ Bus Pers [C]	22207 <u>Accounting for Bus Decisions B</u> 6 Core 22107 Acc for Bus Dec A	24108 <u>Marketing Foundations</u> 6 Core 26100 Integ Bus Pers [C]	<u>Business Major</u>	<u>Business Major</u>	<u>Business Major</u>	<u>Business Major</u>
31265 <u>Comms for IT Professionals</u> 6 Core	48023 <u>Programming Fundamentals</u> 6 Core	31270 <u>Networking Essentials</u> 6 Core	31271 <u>Database Fundamentals</u> 6 Core 48023 Prog. Fundamentals	<u>Major</u>	<u>Major</u>	31272 <u>Project Mgmt.</u> 6 Core 31265 CITP, 48023 ProgFund 31269 BRM, 31268 WebSys 31270 Networking, 31271 DB	<u>Major</u>
31266 <u>Intro to Info Systems</u> 6 Core	31268 <u>Web Systems</u> 6 Core	31269 <u>Business Reg. Modelling</u> 6 Core 31266 Intro to IS	<u>Major</u>	<u>Major</u>	<u>Major</u>	<u>Major</u>	<u>Major</u>

Notes:



UTS Timetable remains the definitive source on subject availability
Your study plan defines course requirements
For further assistance, contact Student Centre at 1300 275 887

Full Course Structure**IT Component (96cp)****IT Core Subjects (STM90651)**

31265 Communication for IT Professionals
 31266 Introduction to Information Systems
 48023 Programming Fundamentals
 31268 Web Systems
 31269 Business Requirements Modelling
 31270 Networking Essentials
 31271 Database Fundamentals
 31272 Project Management and the Professional

8 x 6-credit point subjects (total 48 credit points)

AND

IT Major (select one)

MAJ02080 Business Information Systems Management
 MAJ02081 Data Analytics
 MAJ03444 Enterprise Systems Development
 MAJ03445 Internetworking and Applications
 MAJ02092 Interaction Design

8 x 6-credit point subjects (total 48 credit points)

+

Business Component (96cp)**Business Core Subjects (STM90273)**

22107 Accounting for Business Decisions A
 21129 Managing People and Organisations
 22207 Accounting for Business Decisions B
 24108 Marketing Foundations
 25115 Economics for Business
 25300 Fundamentals of Business Finance
 26134 Business Statistics
 26100 Integrating Business Perspectives

8 x 6-credit point subjects (total 48 credit points)

AND

Business Major (select one)

MAJ08068 Financial Services
 MAJ08116 Marketing Communication
 MAJ08437 Accounting
 MAJ08438 Management
 MAJ08440 Finance
 MAJ08441 Marketing
 MAJ08442 International Business
 MAJ08446 Human Resources Management
 MAJ09209 Economics

8 x 6-credit point subjects (total 48 credit points)

Please check UTS Handbook for major/sub-major subjects

UTS Timetable remains the definitive source on subject availability

Your study plan defines course requirements

For further assistance, contact Student Centre at 1300 275 887